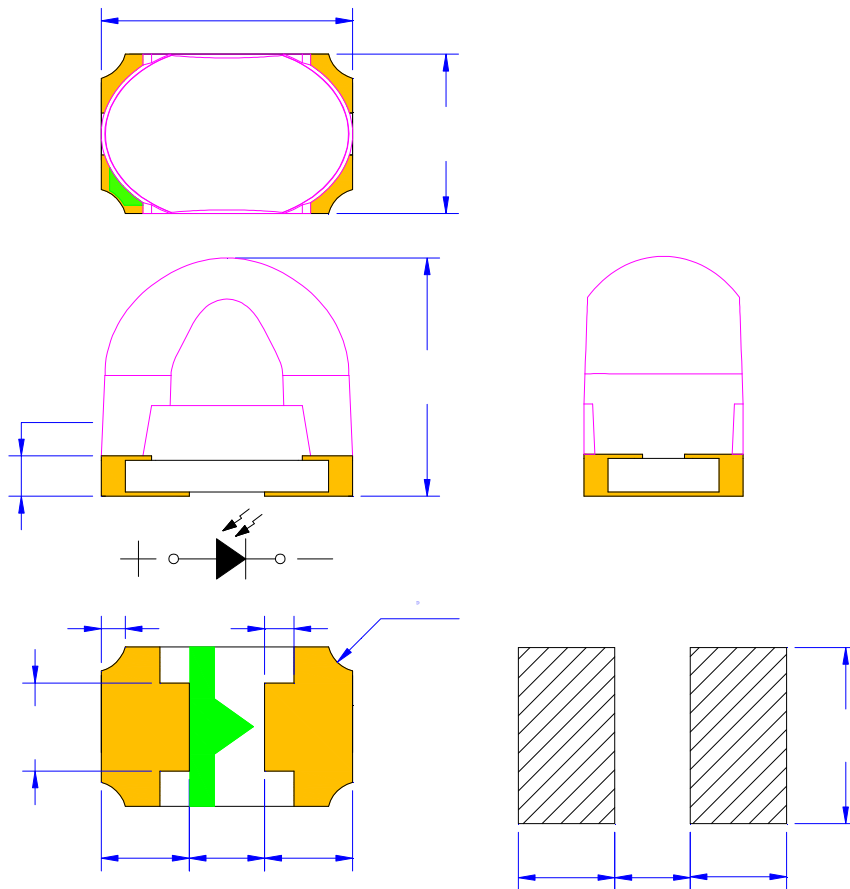


LIGHT

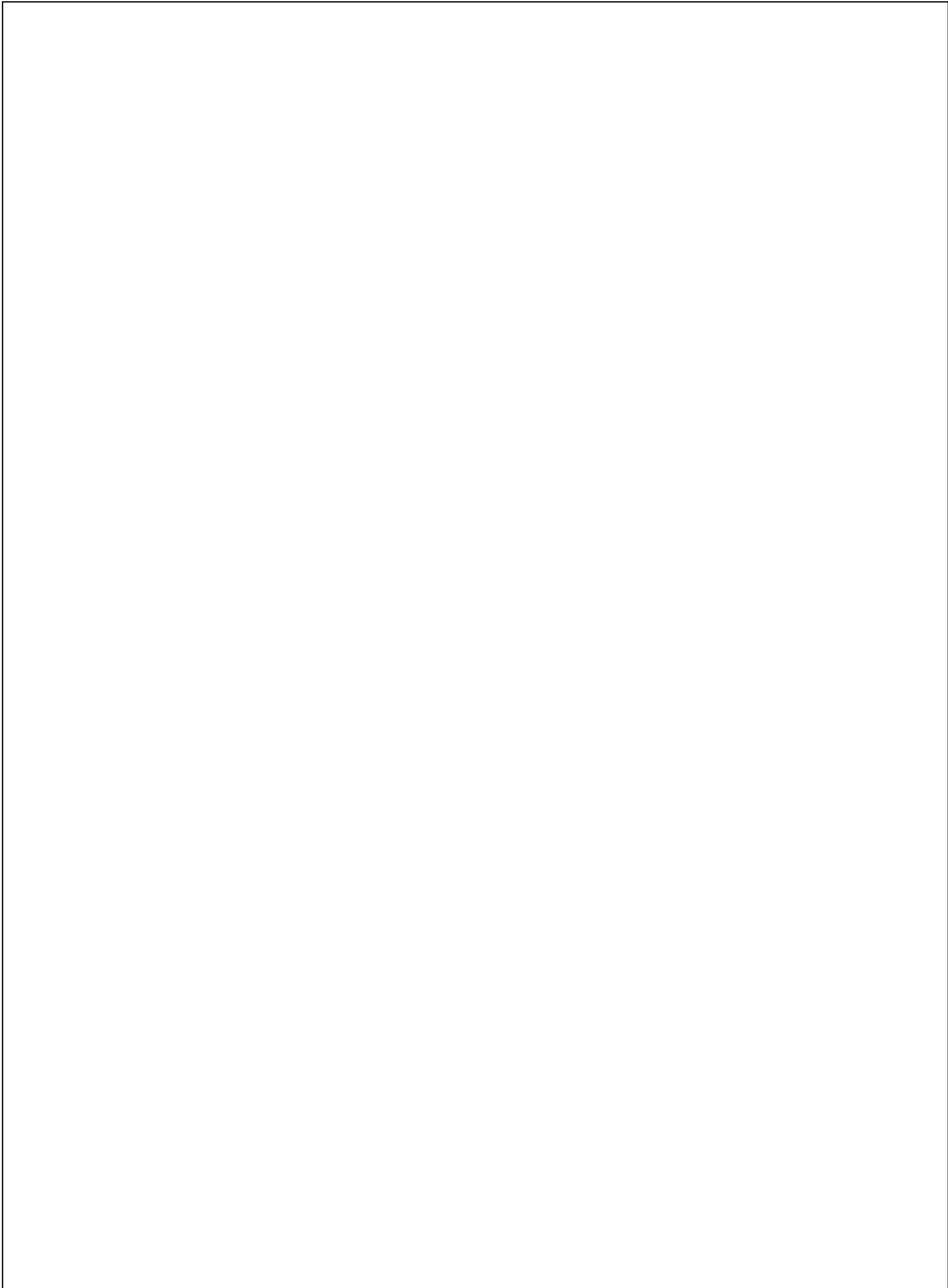
LIGHT ELECTRONICS CO., LTD.

Pb free product—RoHS compliant
 High Photo Sensitivity
 Reliable and rugged
 Long life – solid state reliability
 Sensitivity angle: 90°



Part NO.	Chip Material	Lens Color
SL-T3020PDB020-L285-E-S	Silicon	Black

1. All dimensions are in millimeters.
2. Tolerance is ± 0.10 mm unless otherwise noted.
3. Specifications are subject to change without notice.



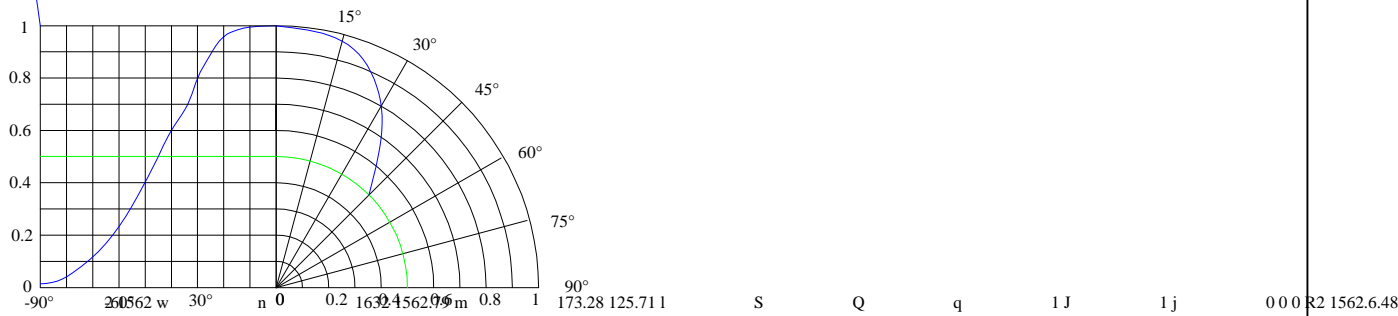
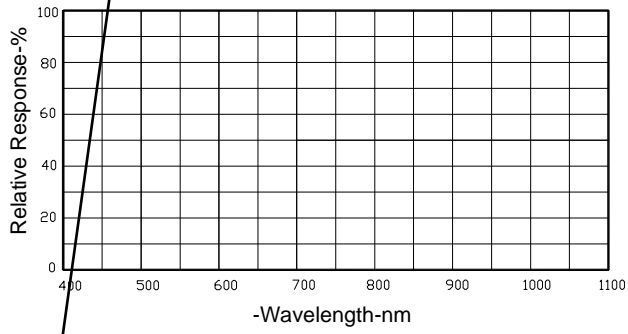
--	--	--	--



--	--	--	--

--	--	--	--

Relative Response vs. Wavelength



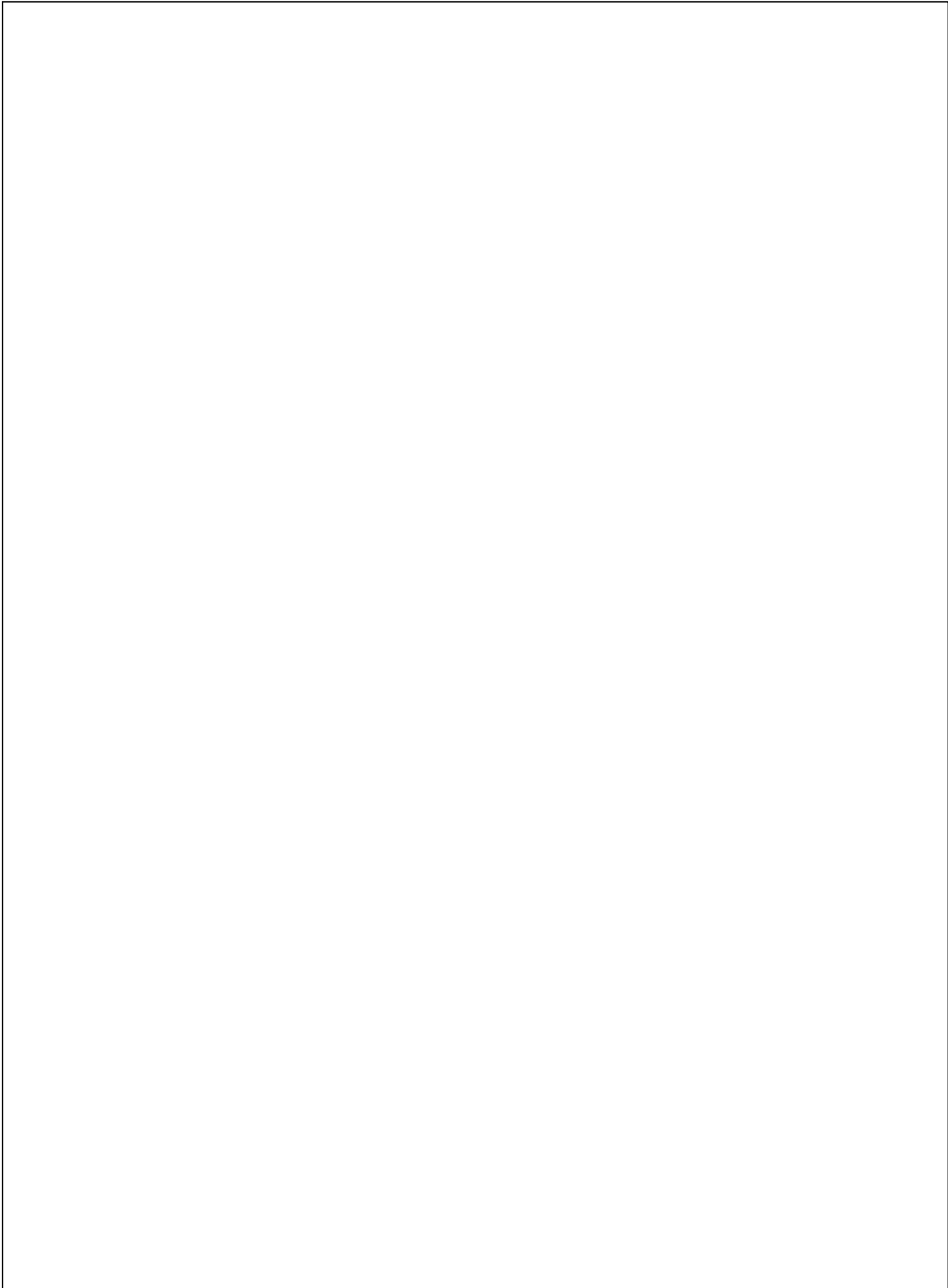
Reverse Light Current(I_L) Bin Code ($V_R=5V$, $E_e=1mW/cm^2$, $p=940nm$)

BIN CODE	Min.(μA)	Max.(μA)
29	15.5	18.5
30	18.5	22
31	22	26

The I_L guarantee should be added $\pm 15\%$ tolerance.

LI'

LIGHT ELECTRONICS CO., LTD.



--	--	--	--



ations (Loaded Quantity: 5000pcs/reel)

oned is ± 0.1 mm; Unit = mm

ackaging

LG