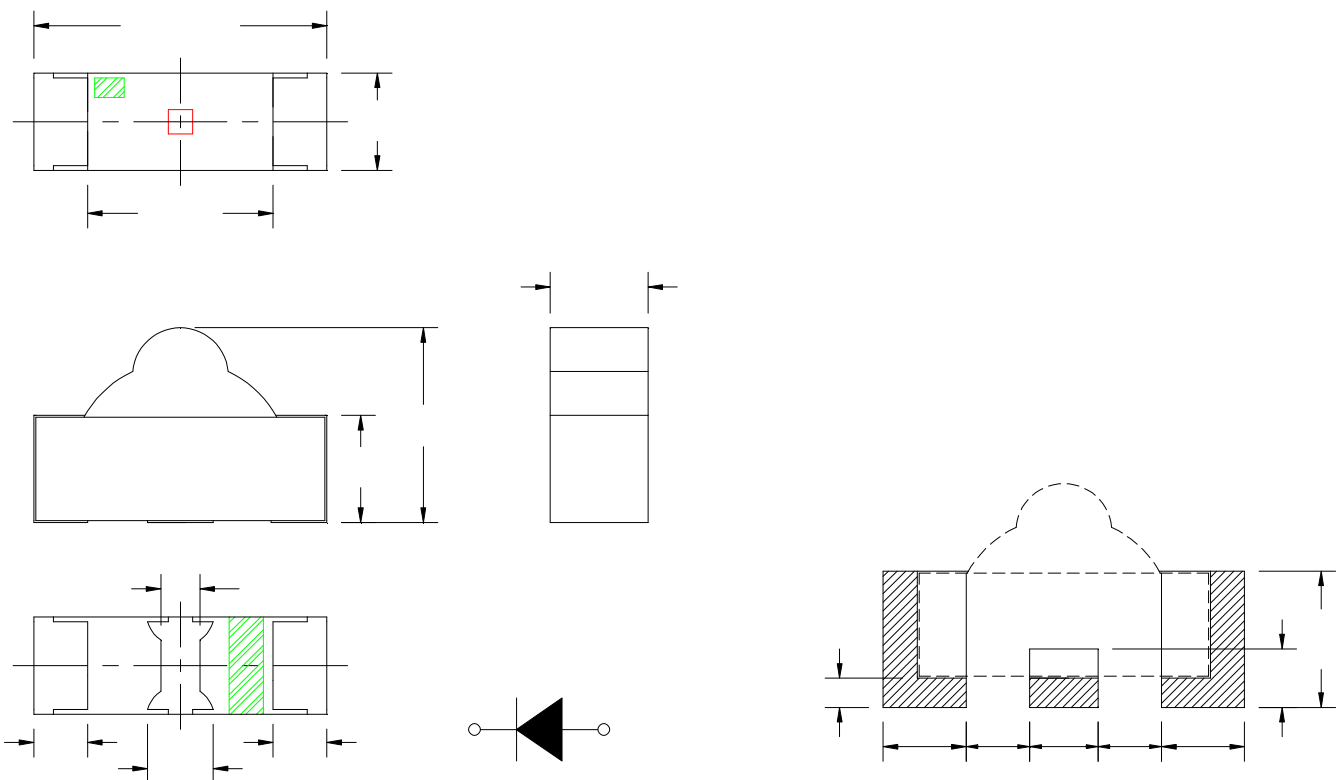


Pb free product—RoHS compliant
 Low power consumption, High efficiency
 Reliable and rugged
 Long life – solid state reliability
 Good spectral matching to Si photo detector



Part NO.	Chip Material	Lens Color
SL-T3010IRC020-L200-Q	AlGaAs	Water Clear

1. All dimensions are in millimeters.
2. Tolerance is 0.10mm unless otherwise noted.
3. Specifications are subject to change without notice.

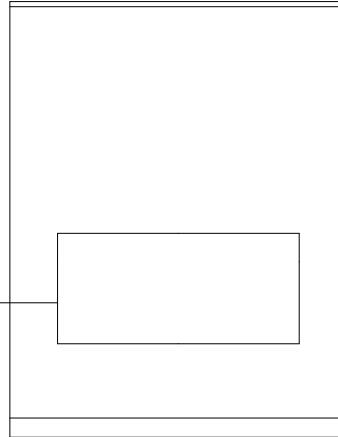
Parameter	MAX.	Unit
Power Dissipation	75	mW
Continuous Forward Current	30	mA
Peak Forward Current ^{*3}	100	mA
Reverse Voltage	5	V
Moisture Sensitivity Level ^{*1}	4	
Operating Temperature	-40 to + 85	
Storage Temperature	-40 to + 85	

Label Explanation

LIGHT	深圳莱特光电股份有限公司 Light Electronics CO., LTD.	
TYPE NO.:	_____	
QUANTITY:	_____	
BIN:	_____	
DATE CODE:	_____	
REMARKS:	_____	

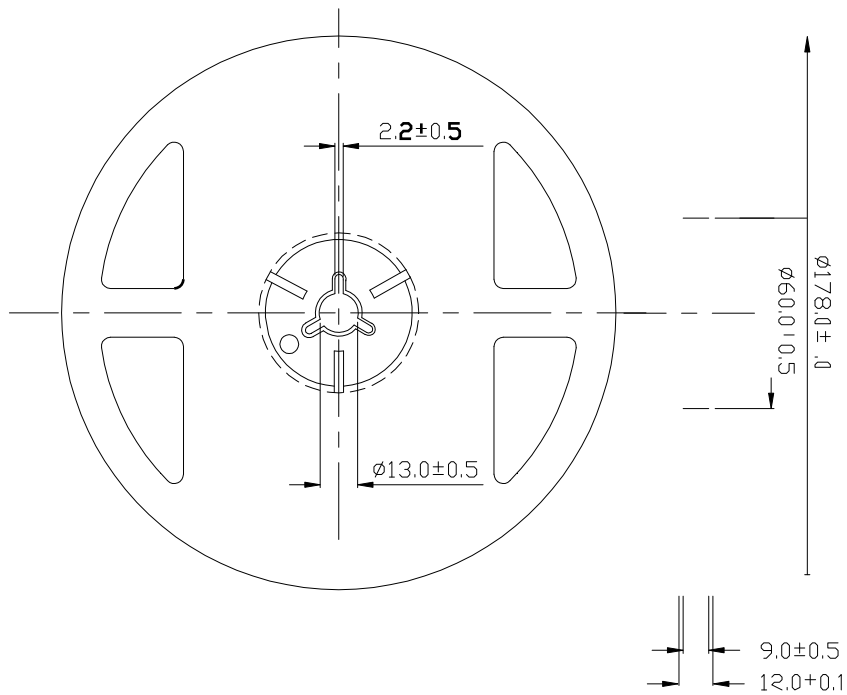


LOT NO.:

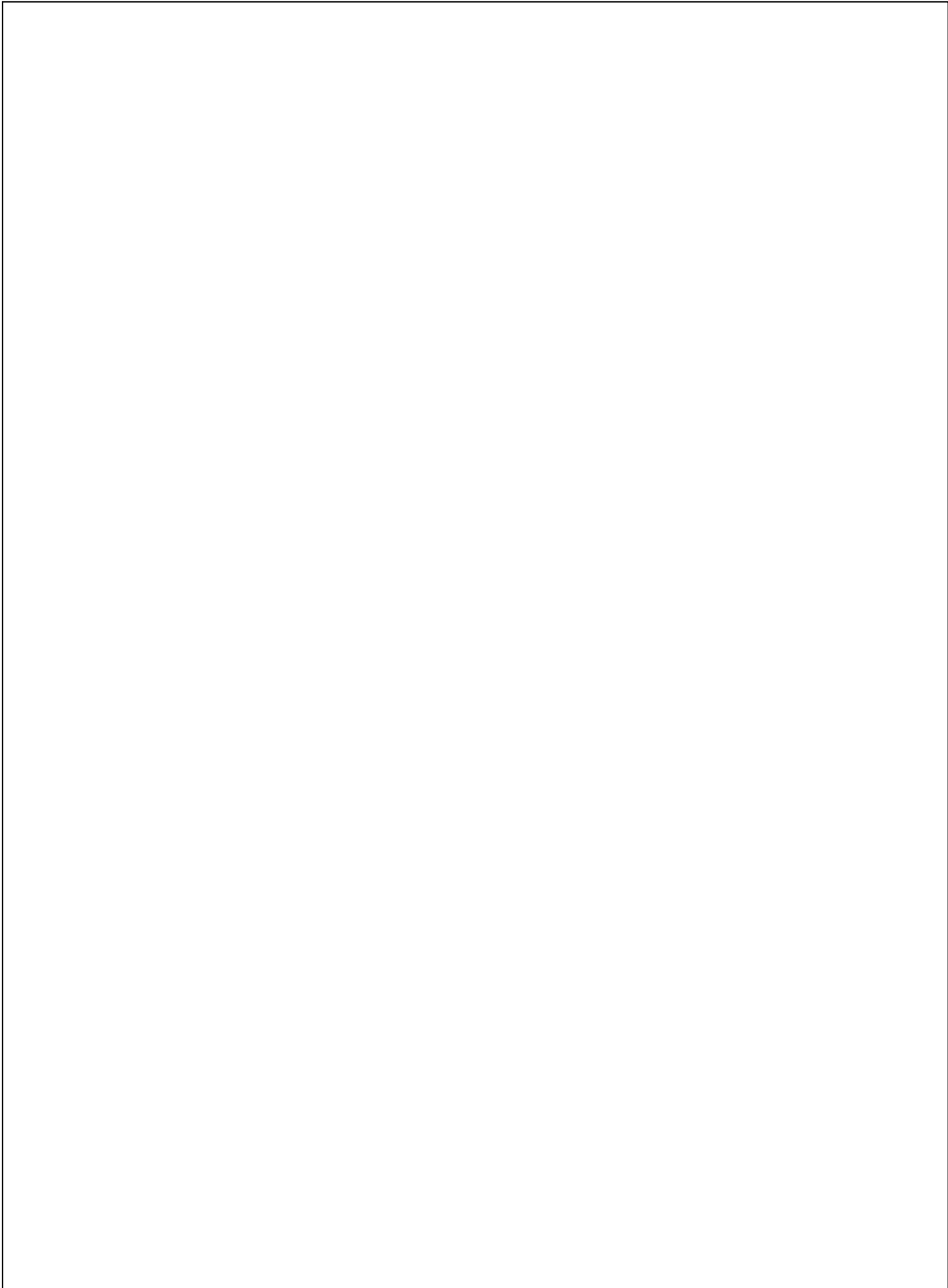


TYPE NO./	QUANTITY/
BIN./	DATE CODE/
REMARKS/	LOT NO./

Reel Dimensions



Tolerance unless mentioned is $\pm 0.2\text{mm}$; Unit = mm



--	--	--	--

