

LG-IRM2A838KSF3

Infrared Receiver Module

DATA SHEET

SPEC.NO. : SZ21052401
DATE : 2021/05/24
REV. : A/0

Approved By:

Checked By:

Prepared By:

1

2

2.7-5.5V

TTL CMOS

3

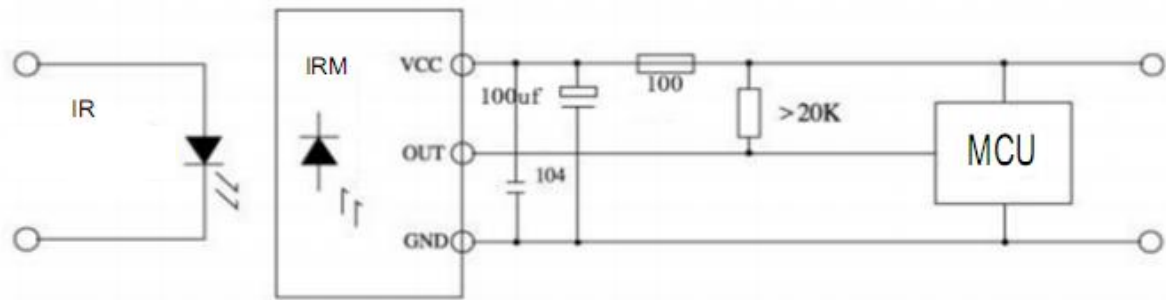
:

(MP3 MP4,)

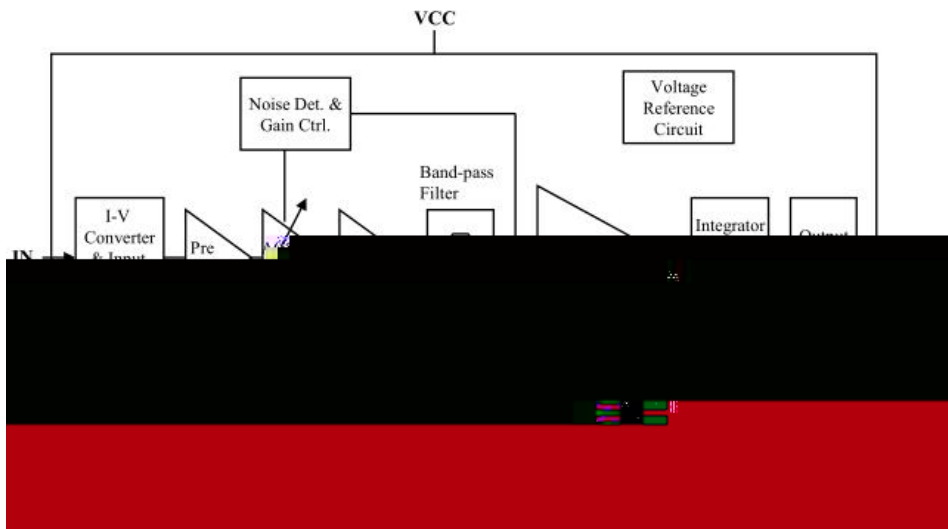


4

:



5



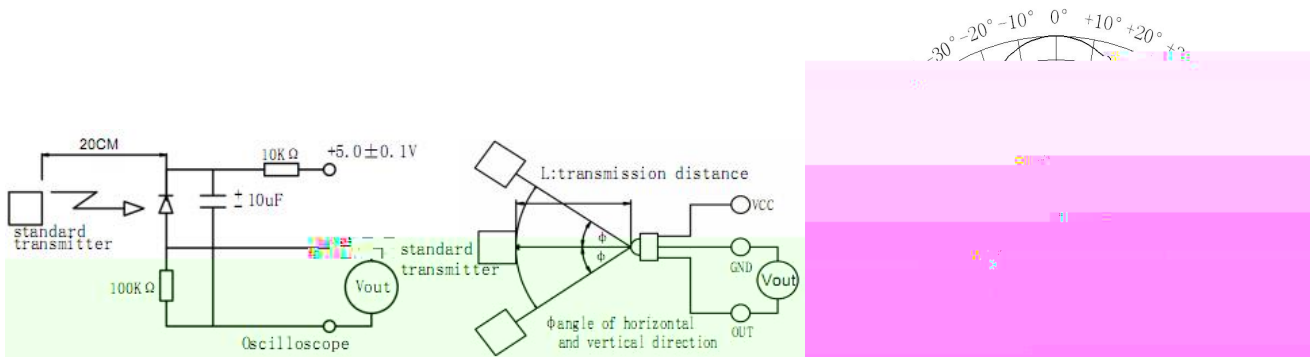
6 (T=25 Vcc=5v f_o=38KHZ)

			Min	Type	Max	
	I _{CC}	VDD=3v	0.4	0.7	1.2	mA
	L	0°	14	16		M
	L	45°	7	8		M
	L	45°	7	8		M
	f _o			37.9		kHz
BPF	f _{BW}	-3dB Bandwidth, Vin=30μV p-p	4	6	8	kHz
	V _{OL}	I sink=2.0mA		0.2	0.4	V
	V _{OH}		2.7	3.0	-	V
	T _{PW}	burst wave Vin=50mV p-p	400	600	800	μs
	Tburst	Vin=50mV p-p	300			us
	Tburst gap	Vin=50mV p-p	350			us
	Tpause	Vin=50mV p-p	1			ms

7 :

Toshiba/NEC/Sharp/Mitsubishi/RC5 Philips/Sony 12bit/Zenith/RC6/Continuous Code/Jvc/RCA.

8.



9

		Min	Typ	Max	
	V _{DD}	2.7	-----	5.5	V
	FM		37.9		kHz
	Topr		25		

10. :

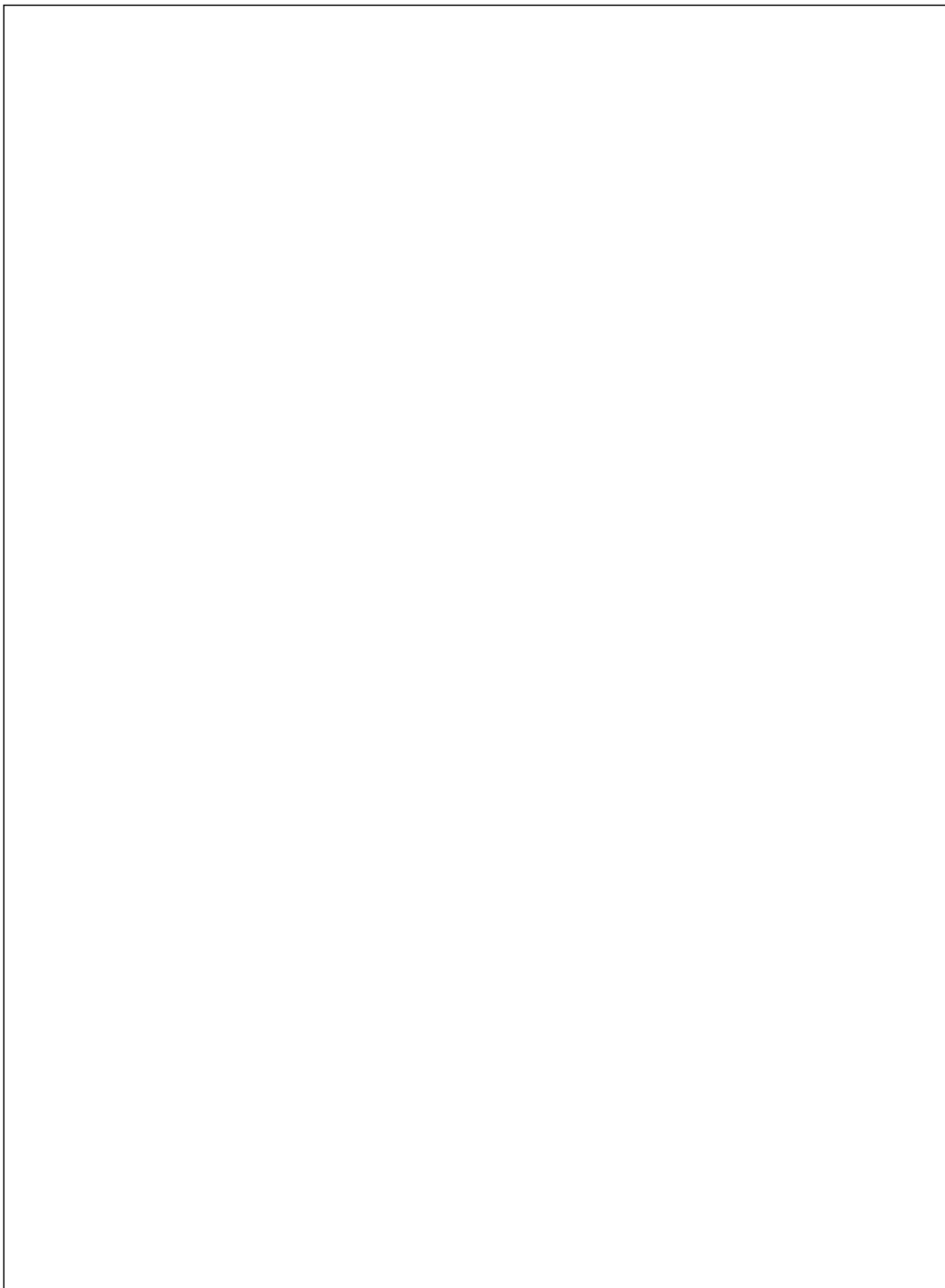
	V _{DD}	6.0	V
	Tstg	-40 --- +125	
*	Tsol	260± 5 5S	

*

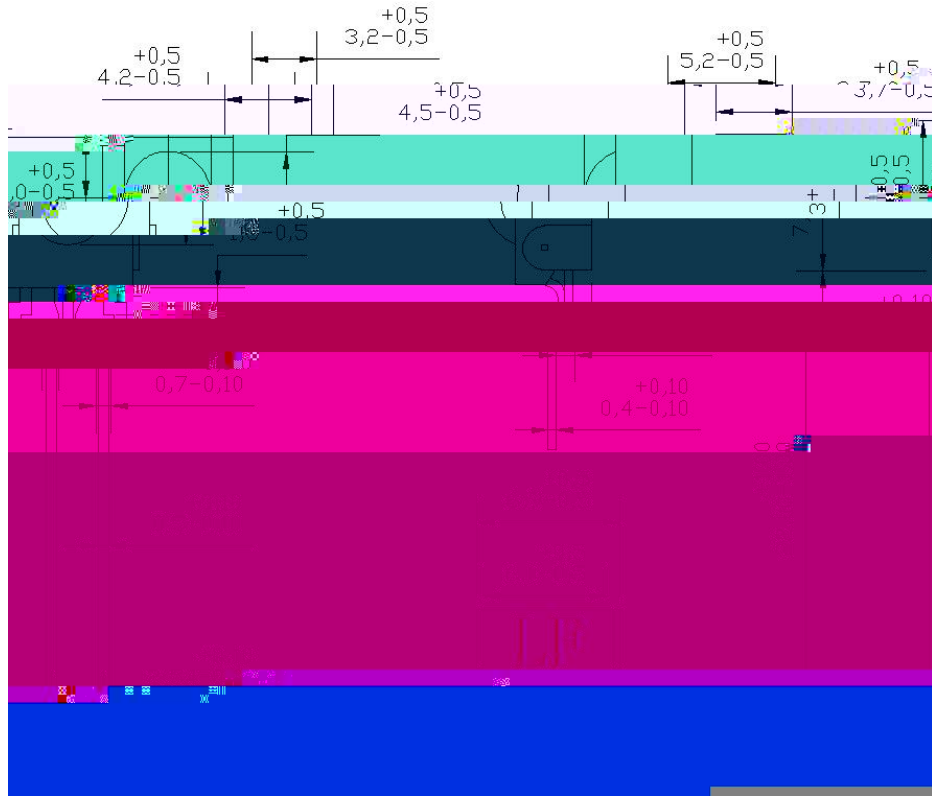
2.0mm

LI

LIGHT ELECTRONICS CO., LTD.



14



15

1).

: 260 5 , ,
 2mm
 30W , 350 , 3 , ,
 2mm

2).

3).

a. 2MM b.

4).

5).

6).

3

7).

: , ,

LIGHT ELECTRONICS CO., LTD.

