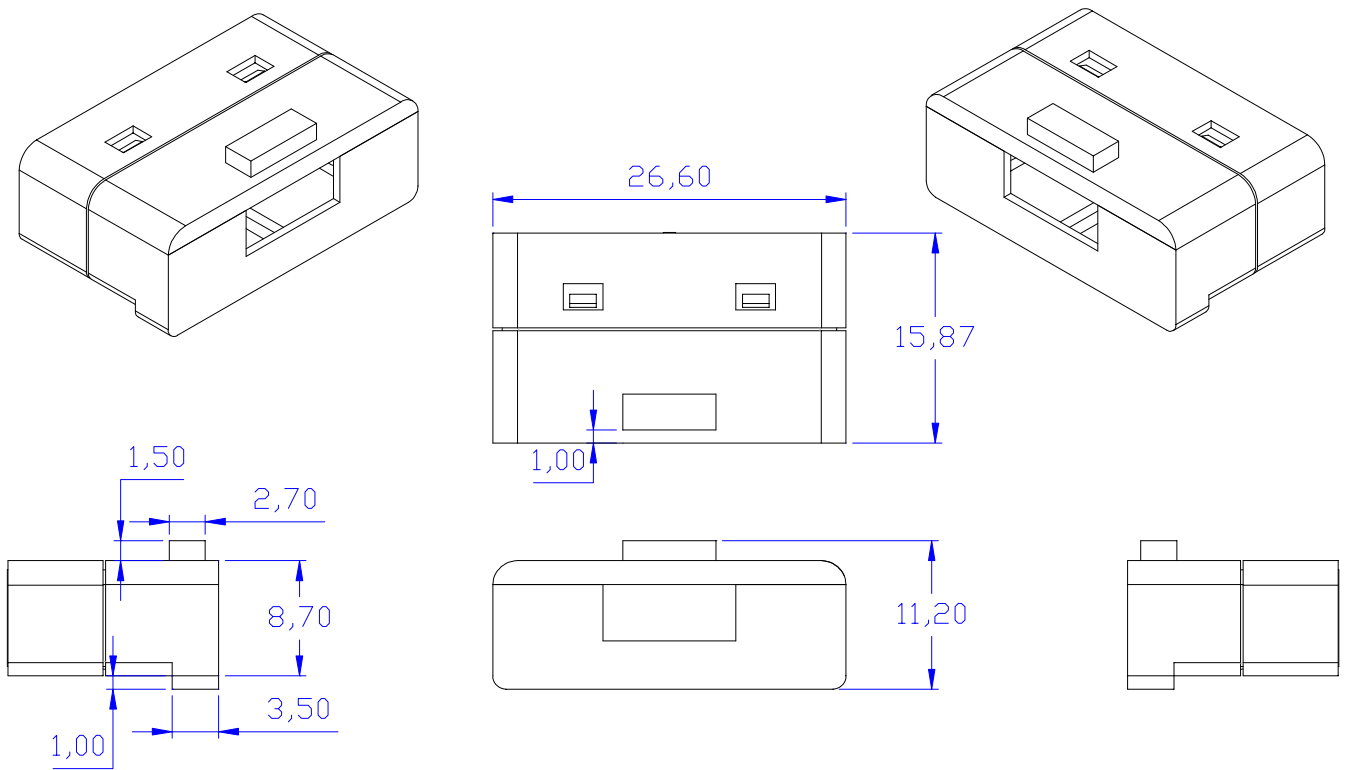
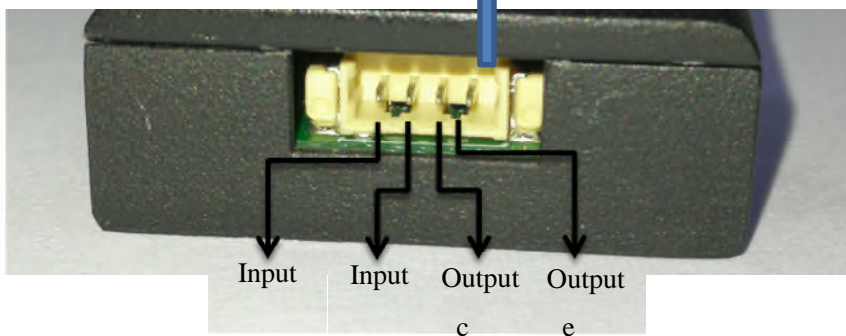


<b>Part No.</b>	<b>Ground-Detecting Module</b>	<b>Page</b>	<b>1 of 4</b>
-----------------	--------------------------------	-------------	---------------

### Dimensions of Module



1.25mm 4P



**Notes:**

1. All dimensions are in millimeters.
2. Tolerance is  $\pm 0.50$ mm unless otherwise noted.
3. Specifications are subject to change without notice.



