

SL-T2835WD060-L70-A-XX

DATA SHEET

SPEC.NO.: SZ22081701
DATE: 2022/08/17
REV.: A/0

Approved By:

Checked By:

Prepared By:

LIGHT

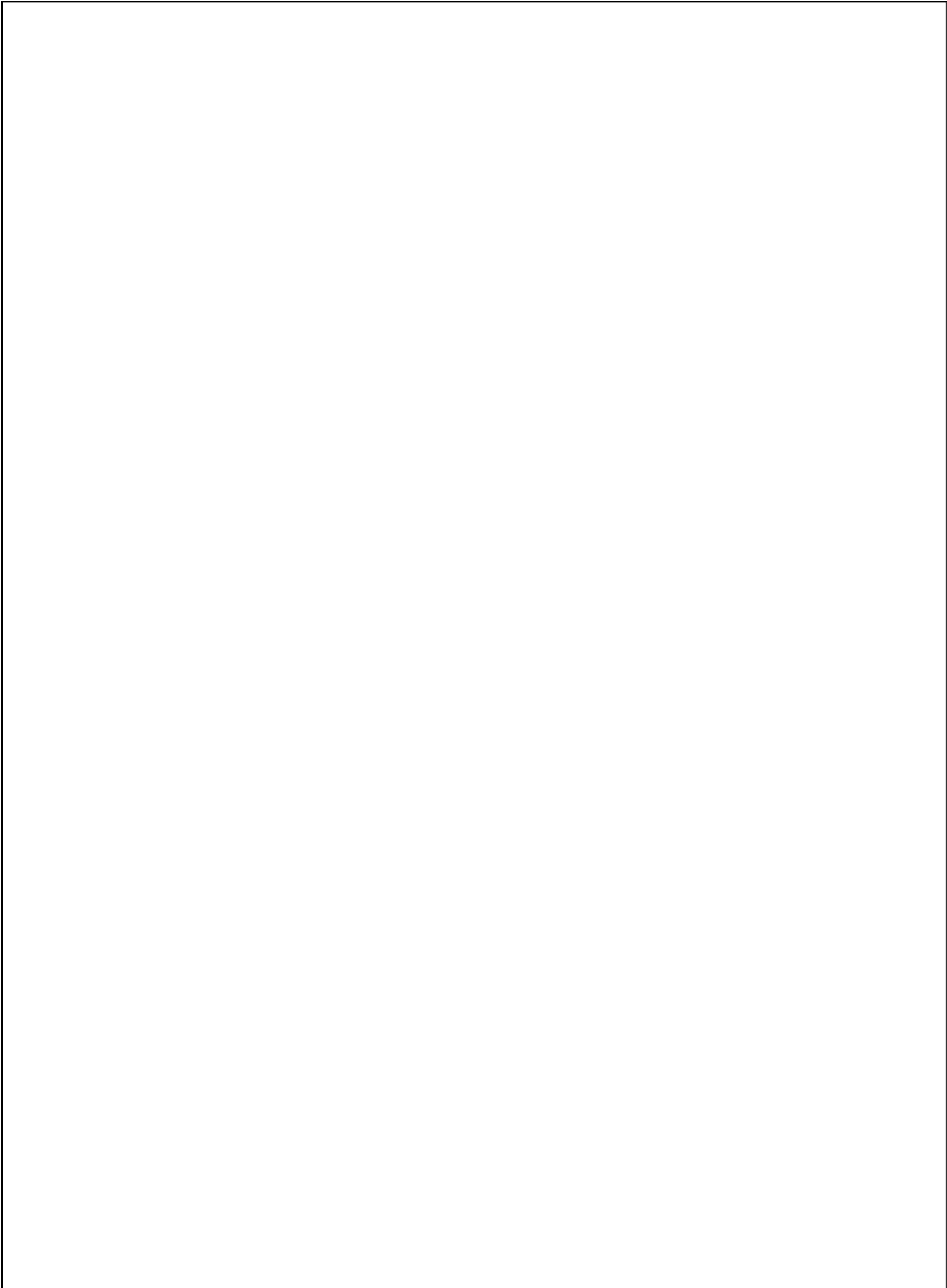
1 ⌘

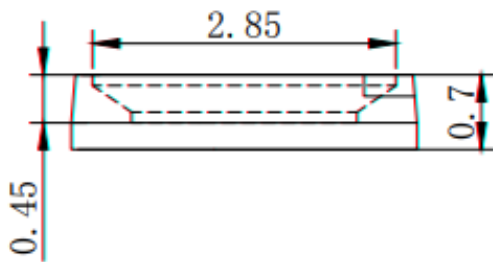
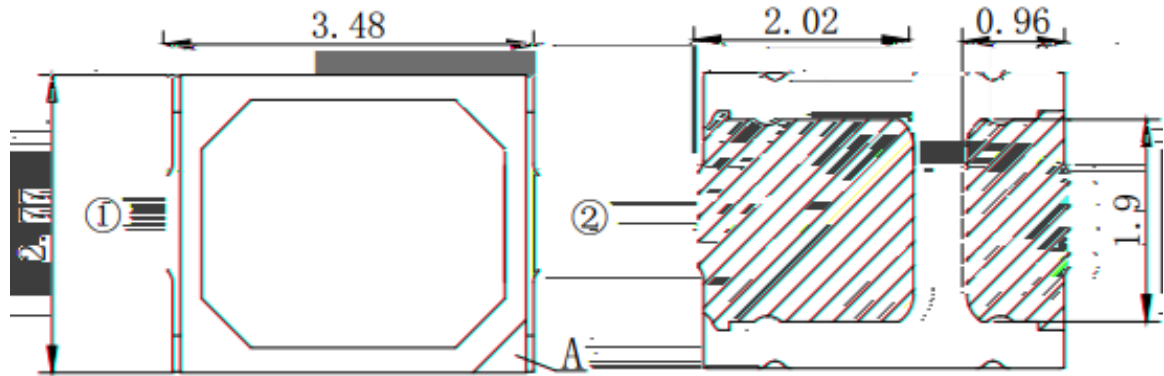
I				
G	H)K 8	+ 5)
G	H)K 8	+ 5 ()
G	H)K 8	+ 5)

1 ⌘

D	G	F	I
Forward Current	=	%	5
Pulse Forward Current	= D	&	5
Power Dissipation	D	%&	K
Operating Temperature	H	(%	
Storage Temperature	H	(%	
Junction Temperature	H	%)	
Welding temperature	H	F A	. & %
5	6 A	9 G	J

B
 % %% 8 % % %
 & 7 - H% B B)B 7 BL HB B&H & (H& B) H) 79 BK (%&P/B& + - % (%%,%H&+) & + % &) + H





Polarity

B
% 5 B A 5

& 5

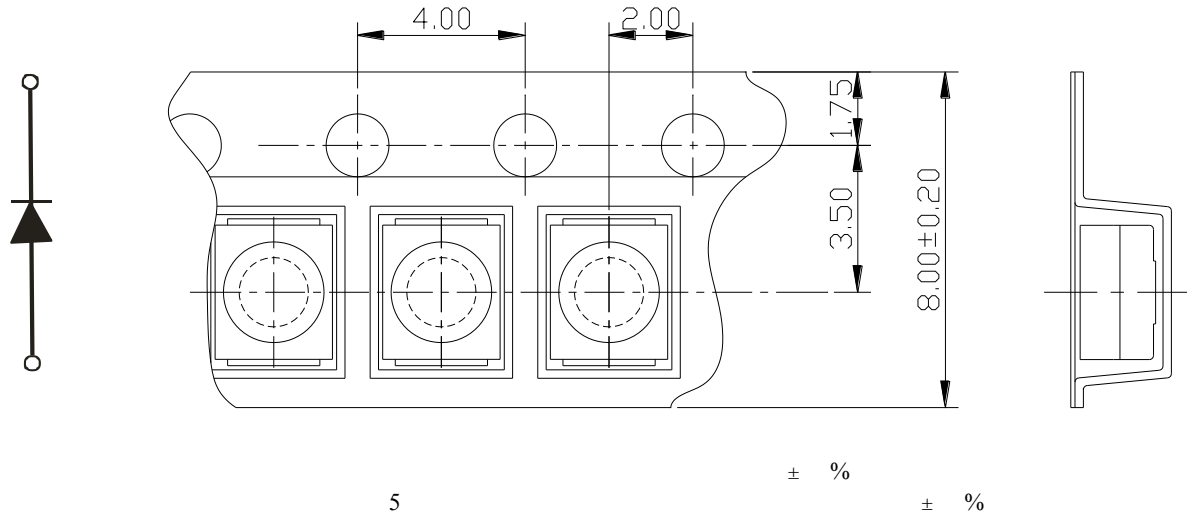
5

%

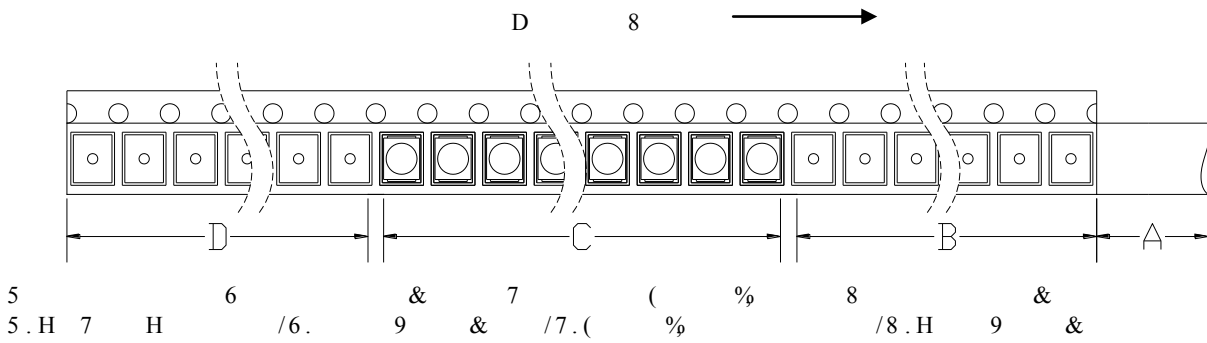
%

(G

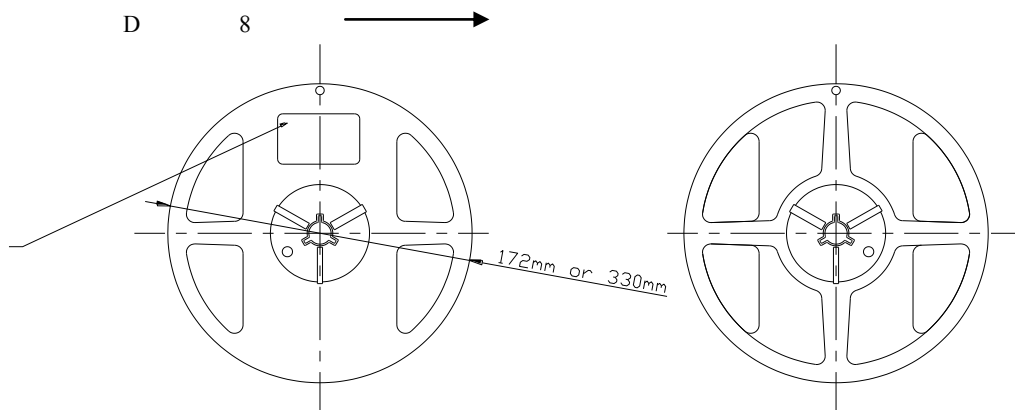
◇



◇

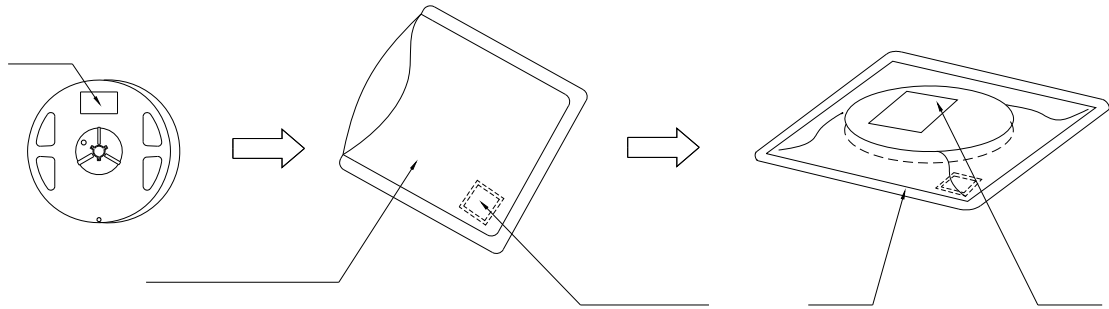


◇

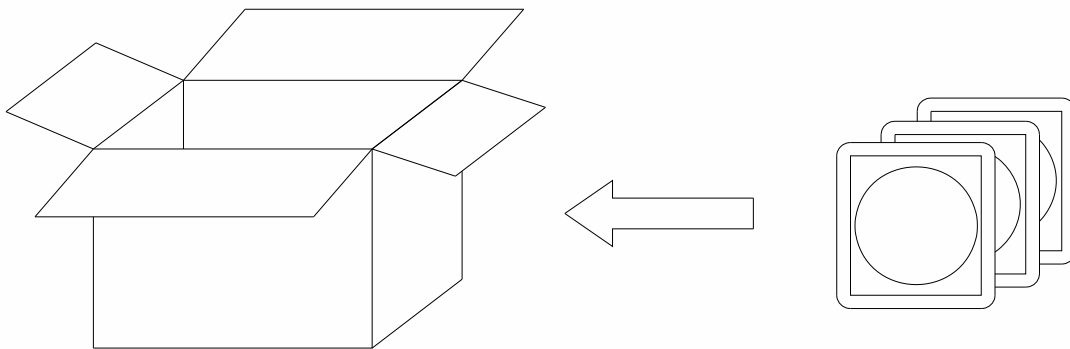




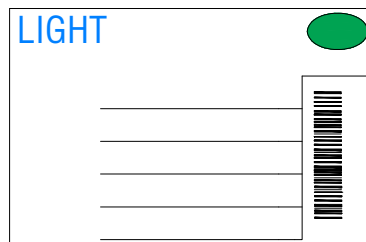
Moisture Proof and Anti-Electrostatic Foil Bag



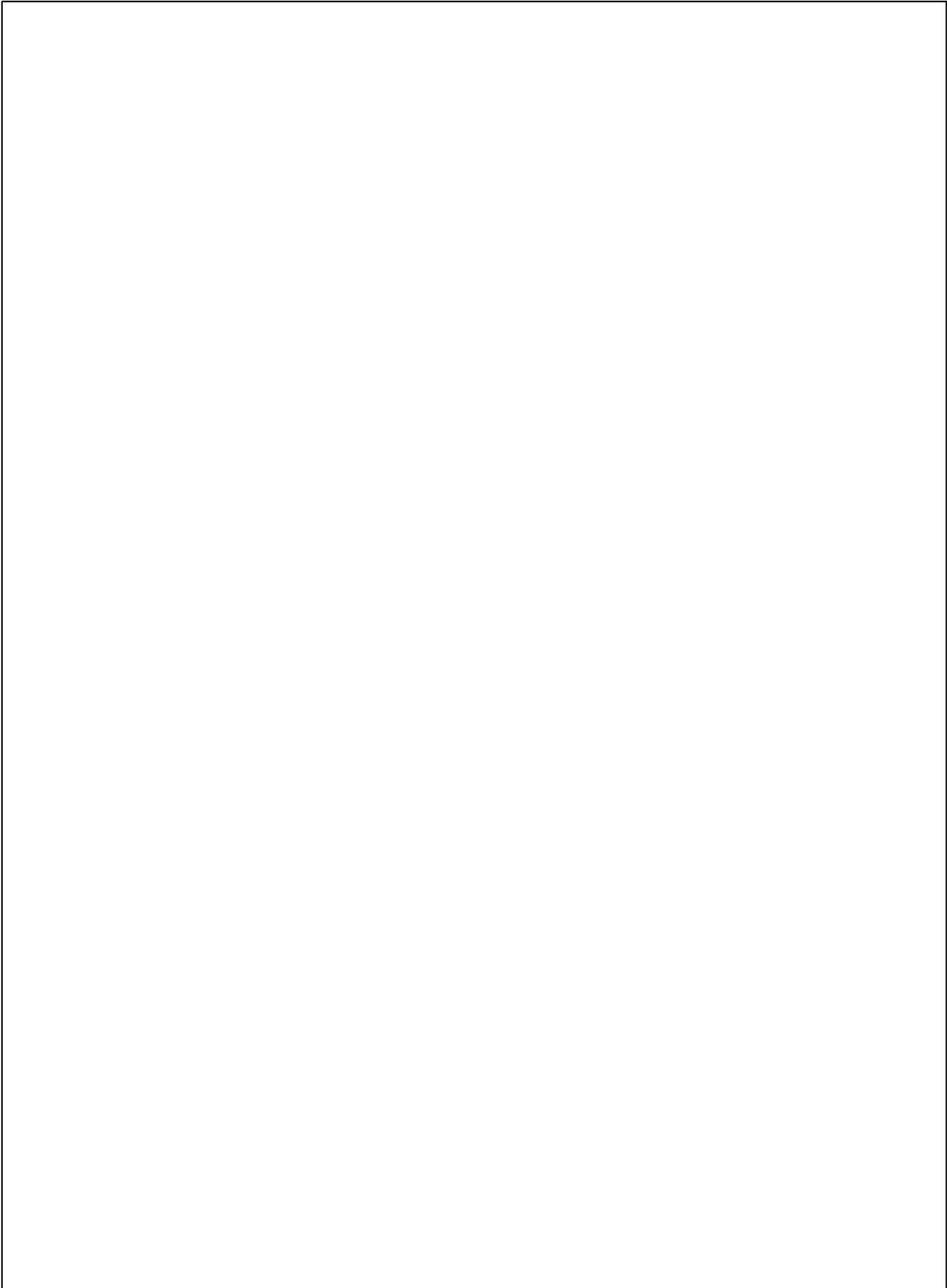
Cardboard Box

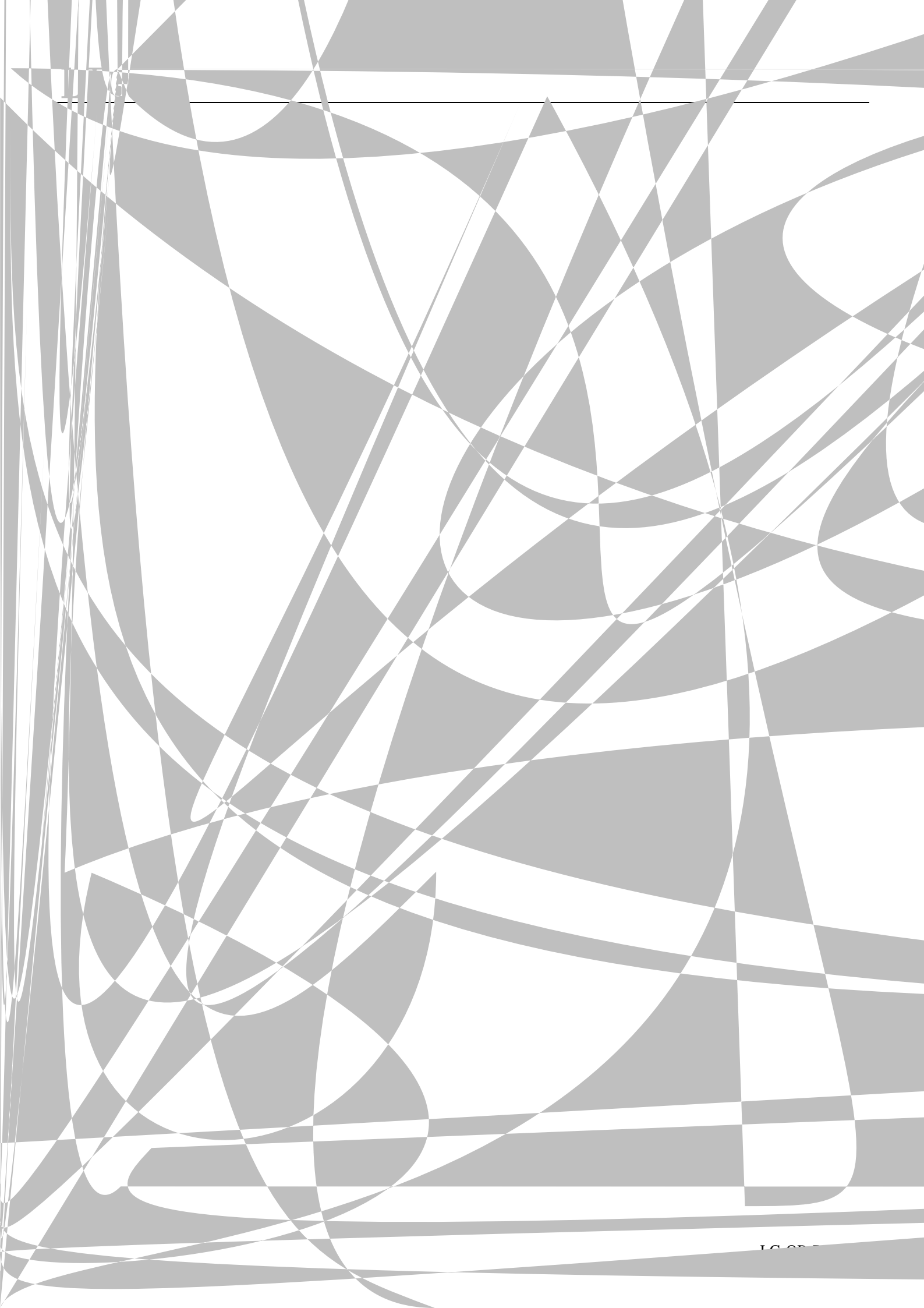


Label Explanation

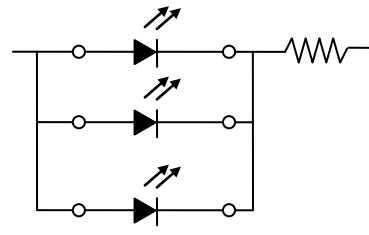
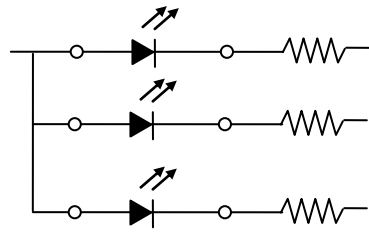


LIGHT





LIGHT



98

98

H 8

7

7

D

98

K

9

98

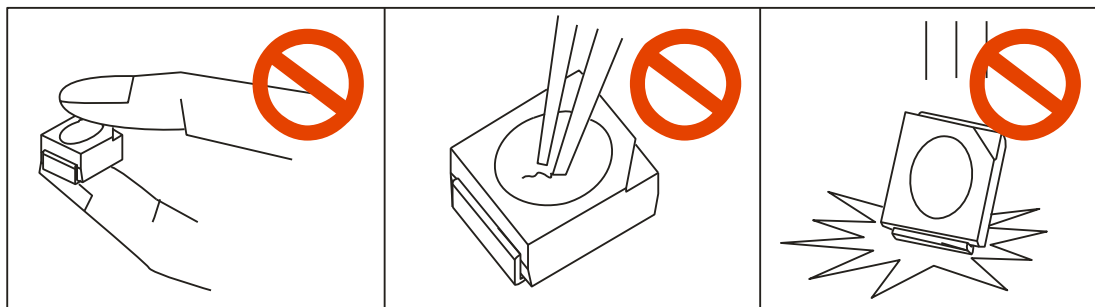
:

98

98

F

G



98

H

K

'g	.
----	---

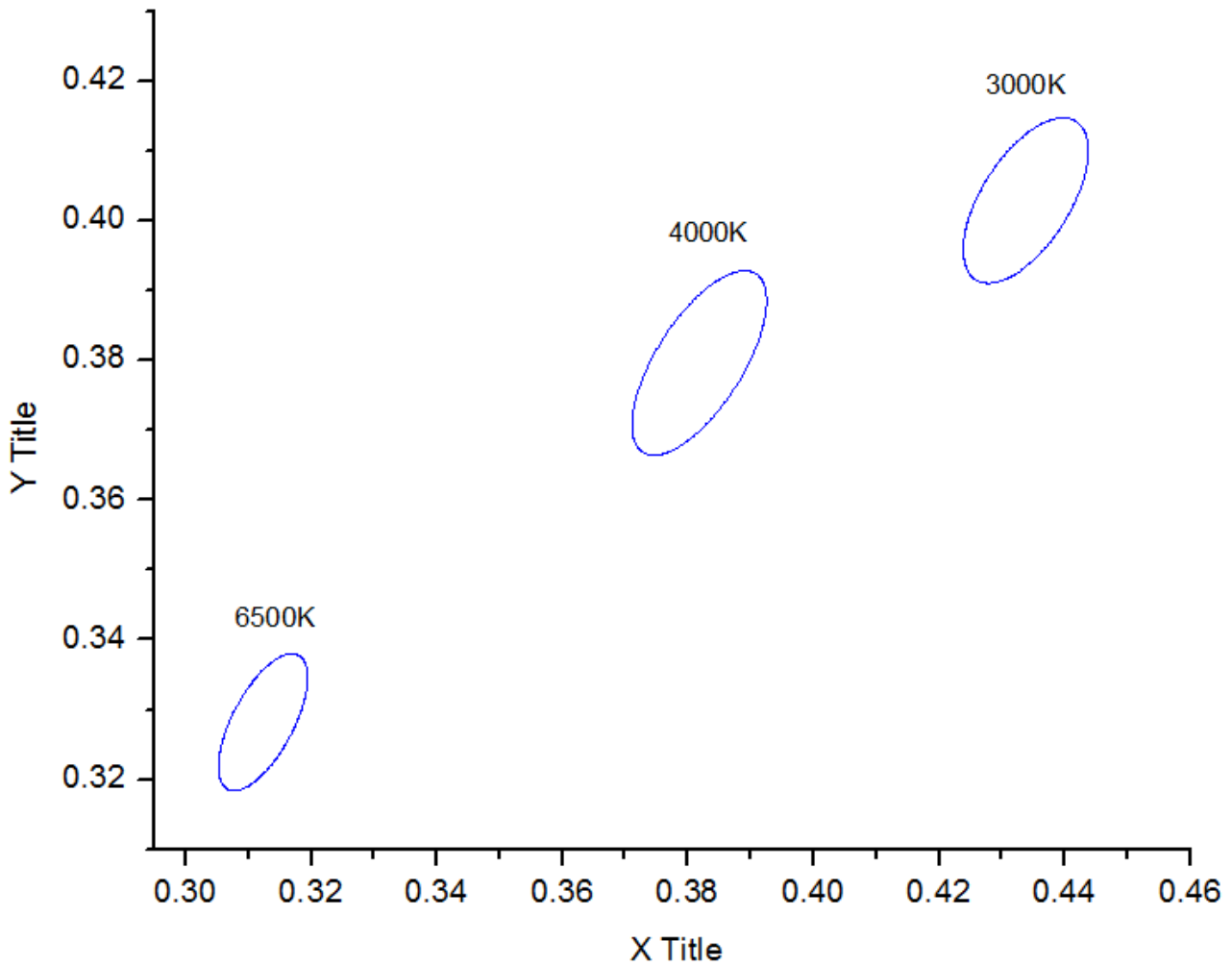


C	
%&	%
%	%)
%)	%&
%&	%)
%)	%&
%&	%)
%)	%&

C	
, ,	-
-	- &
- &	- (

B
% H
& H

%& %&
+ +



		S				M
	(-	(&	&+,	%) &&)
	, %	+ - +	%	%() +&)
	%&	& &	&&	-)),)+)

B
%5 % %

LIG

LIGHT ELECTRONICS CO., LTD.
