

1.

LG-IRM2AB38KSF3

PIN

IC

RoHS REACH

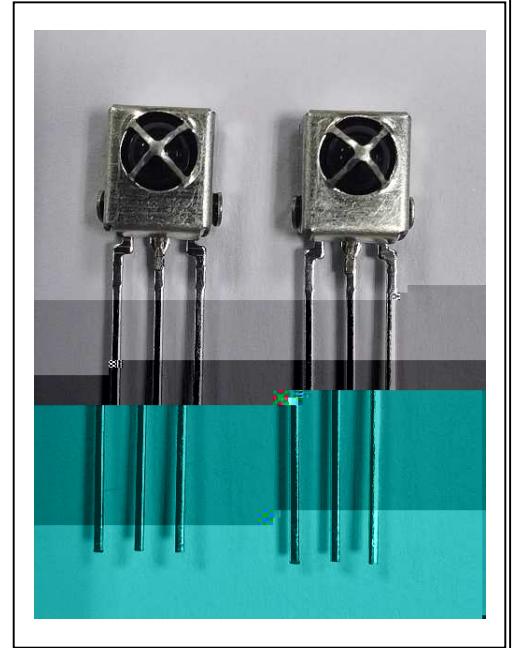
2.

2.7-5.5V

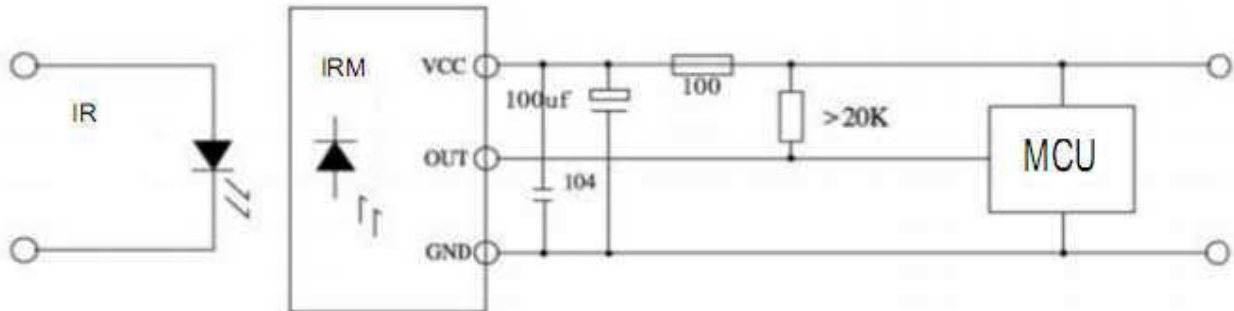
TTL CMOS

3.

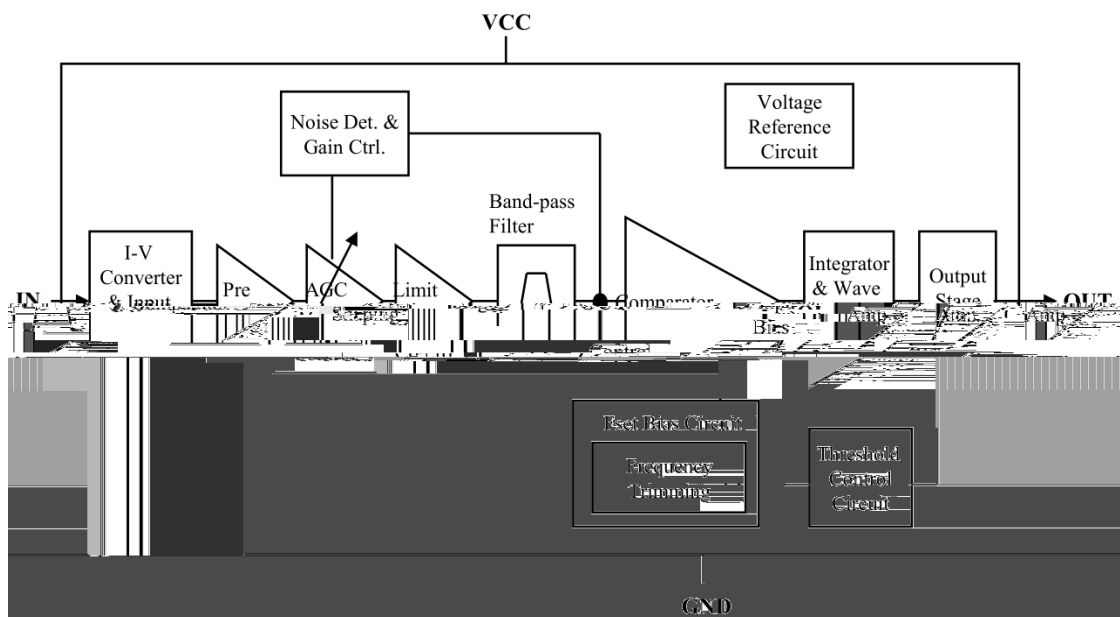
(MP3 MP4,)



4.



5.

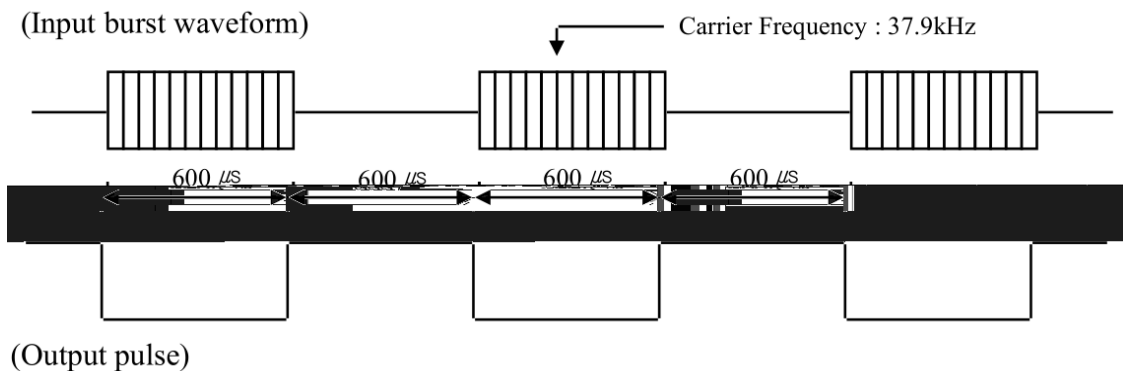




6. (T=25 , Vcc=3.0V, f₀=38kHz)

| | | | Min | Typ | Max | |
|--|--|--|-----|-----|-----|--|
|--|--|--|-----|-----|-----|--|

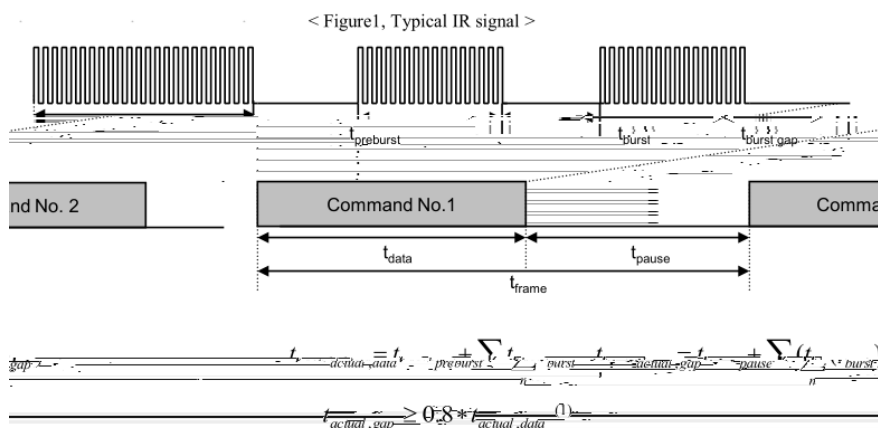
11.



12.

| | |
|--|-----------|
| Minimum Burst Length t_{burst} (number of pulses per burst) | 10 pulses |
| Minimum Burst Gap time t_{burst_gap} (number of pulses per burst) between two burst | 14 pulses |
| Minimum data pause time (for full frame repeat code) | < 1 ms |

Fig 1. The diagram of min. burst length , min burst gap , data pause time



13.

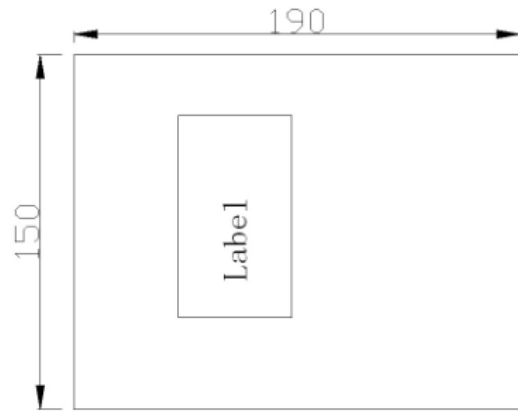
| | | | | |
|--|-----------------------------------|-----|----|----|
| | | | | |
| | 260 ±5 | 5 | 20 | 20 |
| | 100PF, 4KV, | --- | 20 | 20 |
| | 10-50Hz/1min 1.5mm X Y Z/30min | 30 | 20 | 20 |
| | 85 ±3 | 240 | 20 | 20 |
| | -20 ±3 | 240 | 20 | 20 |
| | 85 85% | 240 | 20 | 20 |
| | -20 30 85 30 | 10 | 20 | 20 |
| | 2.5N 2 | --- | 20 | 20 |

16.

1

150mm × 190mm

500PCS

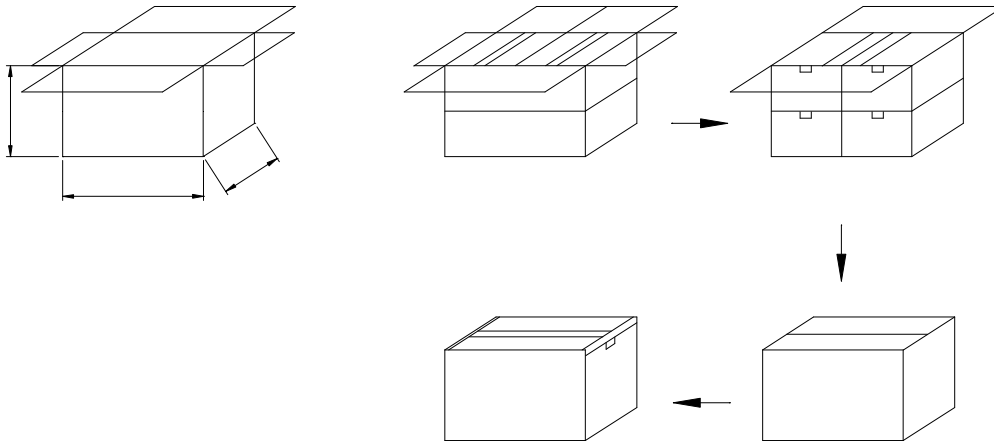
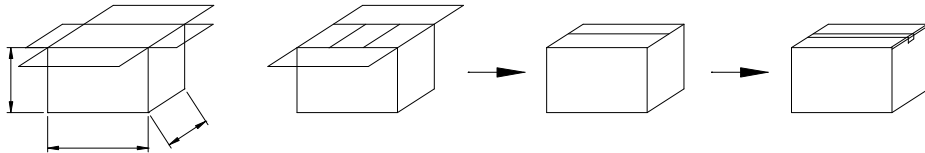


2

500pcs/

10 /

4 /



| | | |
|------------|-----------|----------|
| (pcs /) | (/) | (/) |
| 500 | 10 | 4 |