

SL-T3020PDB020-L285-E

PHOTO Diode

D A T A S H

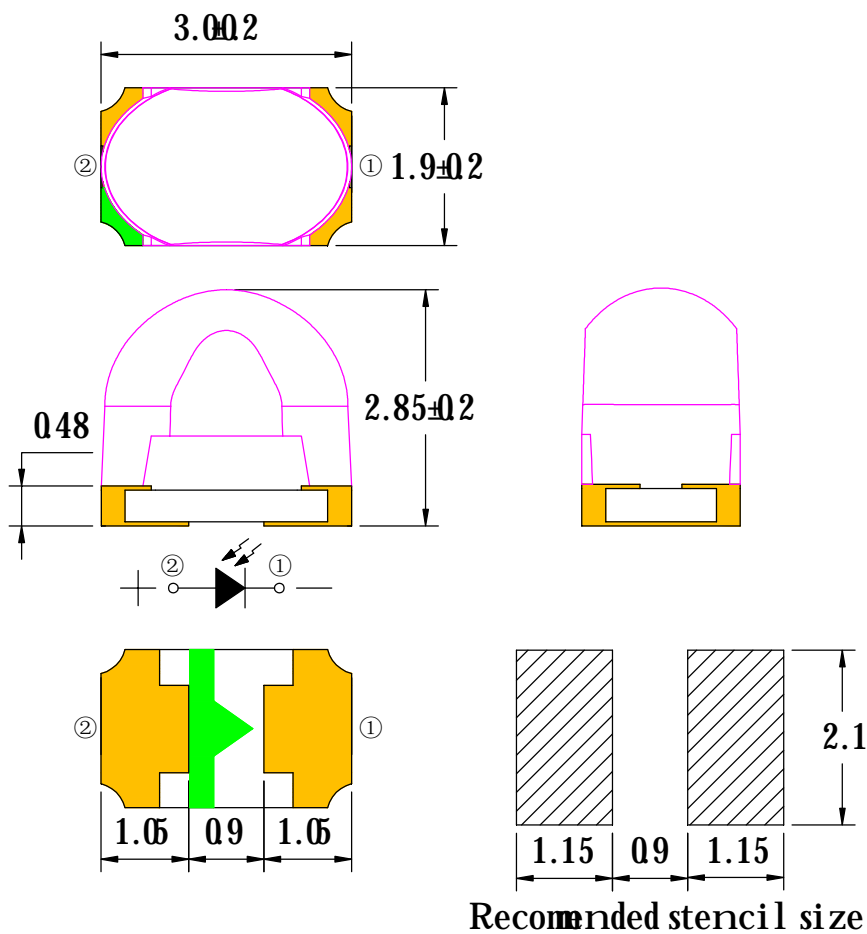
S P E C . N O . : S Z 19120503
D A T E : 2021/01/14
R E V . : A /4

A p p r o v e d B y : C h e c k

Features

P b f r e e p r o d u c t
 H i g h P h o t o S e n s i t
 R e l i a b l e a n d r u g g
 L o n g l i f e - s o l i d
 S e n s i t i v i t y a n g l

Package Dimension



P a r t				N O .		C h i p	
S	L	-T	3020P	D	B	020-L	285-E

Notes:

1. A l l d i m e n s i o n s a r e
2. T o l e r a n c e i s $\pm 0.10\text{mm}$
3. S p e c i f i c a t i o n s a r e

