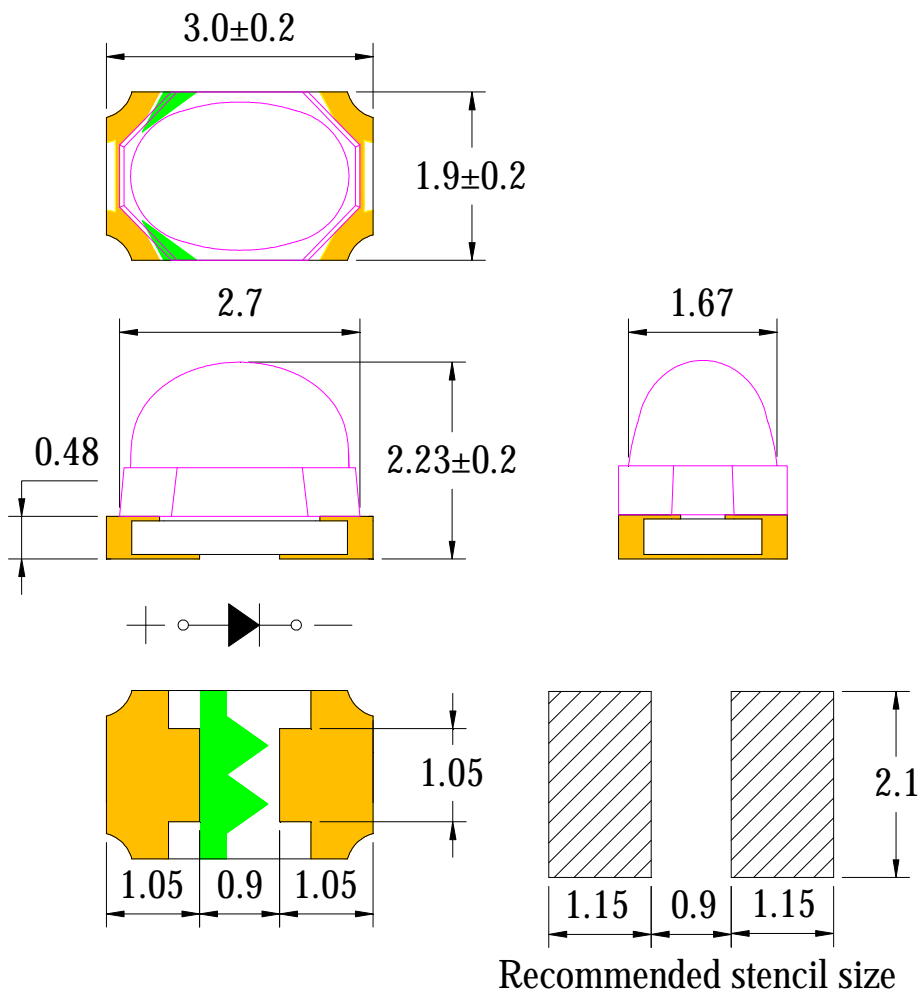


# **SL-T3020IRC050-L223-C-S**

\_\_\_\_\_  
\_\_\_\_\_  
\_\_\_\_\_

## Features

## Package Dimension




Notes:

## Absolute Maximum Ratings at Ta=25


1. Storage and operating:

2. Peak Forward Current:

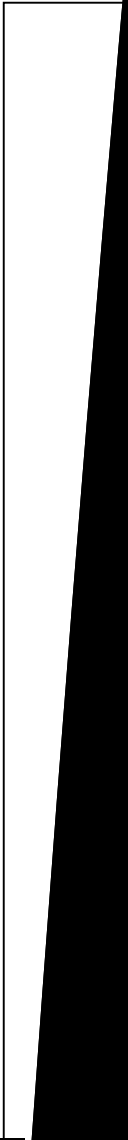
Condition for is IFP pulse: Pulse Width 100 $\mu$ s and duty 1%.

3. Caution in ESD:





LIG

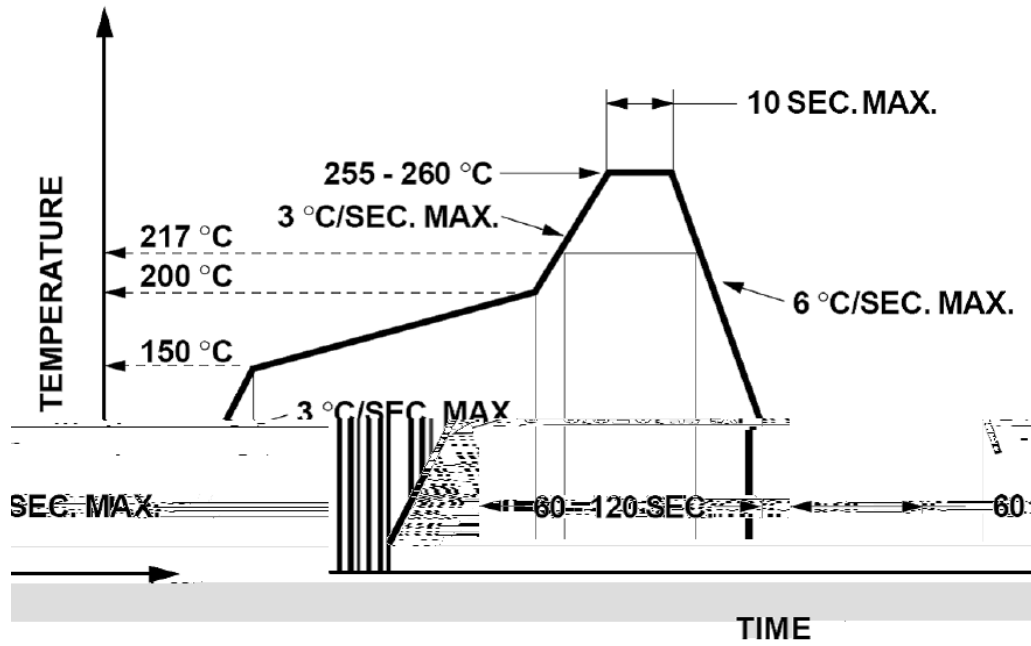




LIG







°C

