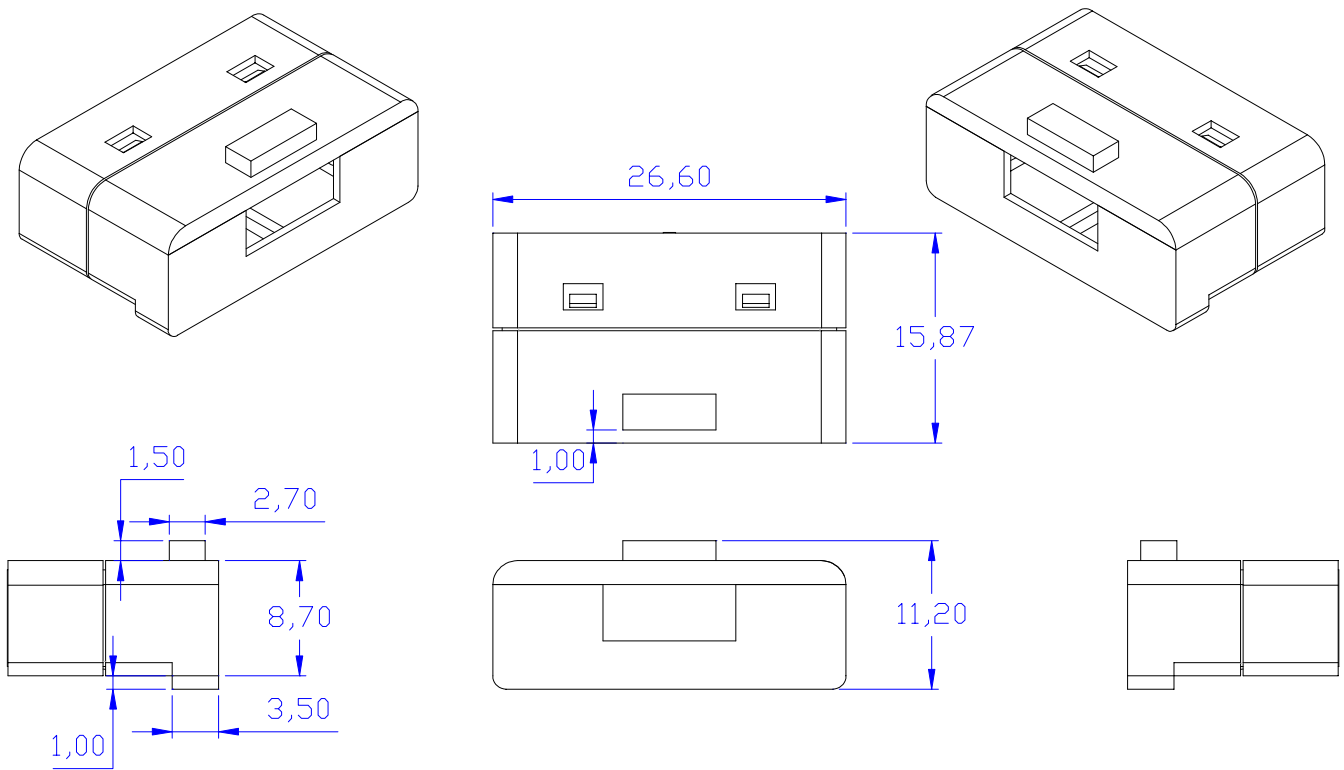
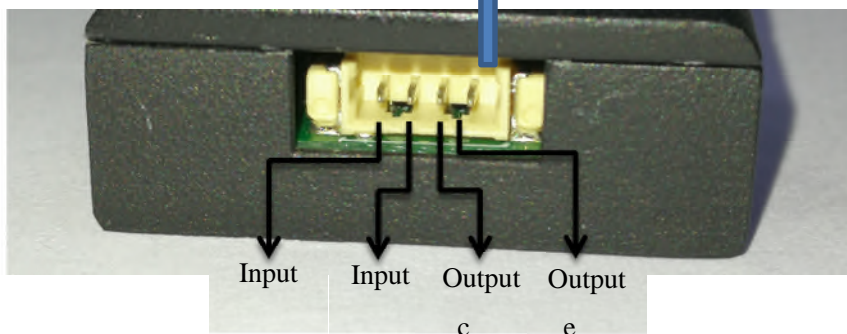




## Dimensions of Module



1.25mm 4P



### Notes:

1. All dimensions are in millimeters.
2. Tolerance is  $\pm 0.50\text{mm}$  unless otherwise noted.
3. Specifications are subject to change without notice.



